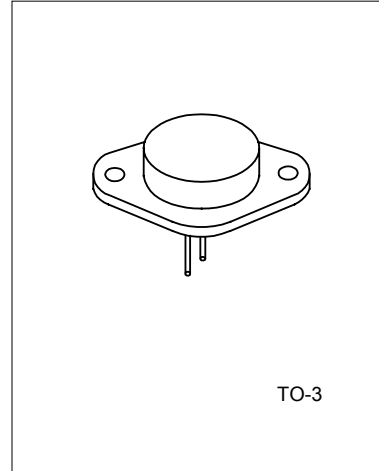


SILICON NPN TRANSISTORS

The UTC 2N3772 is a power-base power transistor in TO-3 metal case. It is designed for linear amplifiers, series pass regulators, and inductive switching applications.



ABSOLUTE MAXIMUM RATINGS (Ta=25°C, unless otherwise specified)

PARAMETERS	SYMBOL	VALUE	UNITS
Collector-Base Voltage	V _{CB0}	100	V
Collector-Emitter Voltage	V _{CE0}	60	V
Emitter-Base Voltage	V _{EB0}	7	V
Collector-Emitter Voltage	V _{CEV}	80	V
Collector Current	I _c	30	A
Collector Peak Current(1)	I _{CM}	30	A
Base Current	I _B	5	A
Base Peak Current(1)	I _{BM}	15	A
Total Dissipation at Ta=25°C	P _{tot}	150	W
Storage Temperature	T _{STG}	-65 ~ +200	°C
Max. Operating Junction Temperature	T _J	200	°C

ELECTRICAL CHARACTERISTICS(Ta=25°C, unless otherwise specified)

PARAMETER	SYMBOL	TEST CONDITIONS	MIN	TYP	MAX	UNIT
OFF CHARACTERISTICS						
Collector-Emitter Sustaining Voltage	V _{CEX(sus)}	I _c =0.2 A, V _{BE(OFF)} =1.5V, R _{BE} =100 Ohms	80			V
Collector-Emitter Sustaining Voltage	V _{CER(sus)}	I _c =0.2 A, R _{BE} =100 Ohms	70			V
Collector-Emitter Sustaining Voltage	V _{CEO(sus)}	I _c =0.2 A, I _B =0	40			V
Collector Cut-off Current	I _{CEO}	V _{CE} =50V, I _B =0			10	mA
Collector Cut-off Current	I _{CEX}	V _{CE} =100V, V _{BE(off)} =1.5V. V _{CE} =30V, V _{BE(off)} =1.5V, Ta=150°C			5 10	mA
Collector Cut-off Current	I _{CBO}	V _{CE} =50V, I _E =0			5	mA
Emitter Cut-off Current	I _{EBO}	V _{BE} =7V, I _C =0			5	mA
ON CHARACTERISTICS						
DC Current Gain(note)	h _{FE}	I _c =10A, V _{CE} =4V, I _c =20A, V _{CE} =4V	15 5		60	

UTC2N3772

SILICON NPN TRANSISTOR

PARAMETER	SYMBOL	TEST CONDITIONS	MIN	TYP	MAX	UNIT
Collector-Emitter Saturation Voltage	VCE(sat)	Ic=10A, Ib=1.5A Ic=20A, Ib=4A			1.4 4.0	V
Base-Emitter On Voltage	VBE(on)	Ic=10A, VCE=4V			2.2	V
SECOND BREAKDOWN						
Second Breakdown Collector with Base Forward Biased	Is/b	VCE=60V, T=1.0s, Non-repetitive	2.5			A
DYNAMIC CHARACTERISTICS						
Current Gain-Bandwidth Product	fT	Ic=1A, VCE=4V, f=50kHz	0.2			MHz
Small-Signal Current Gain	hFE	Ic=1A, VCE=4V, f=1kHz	40			

Note(1): Pulse Test: Puls Width ≤ 300μs, Duty Cycle ≤ 2%

UTC assumes no responsibility for equipment failures that result from using products at values that exceed, even momentarily, rated values (such as maximum ratings, operating condition ranges, or other parameters) listed in products specifications of any and all UTC products described or contained herein. UTC products are not designed for use in life support appliances, devices or systems where malfunction of these products can be reasonably expected to result in personal injury. Reproduction in whole or in part is prohibited without the prior written consent of the copyright owner. The information presented in this document does not form part of any quotation or contract, is believed to be accurate and reliable and may be changed without notice.